

DRYER

Repair Parts List

MODEL NUMBER
MDG3000AXW

When requesting service or ordering parts, always provide the following information:

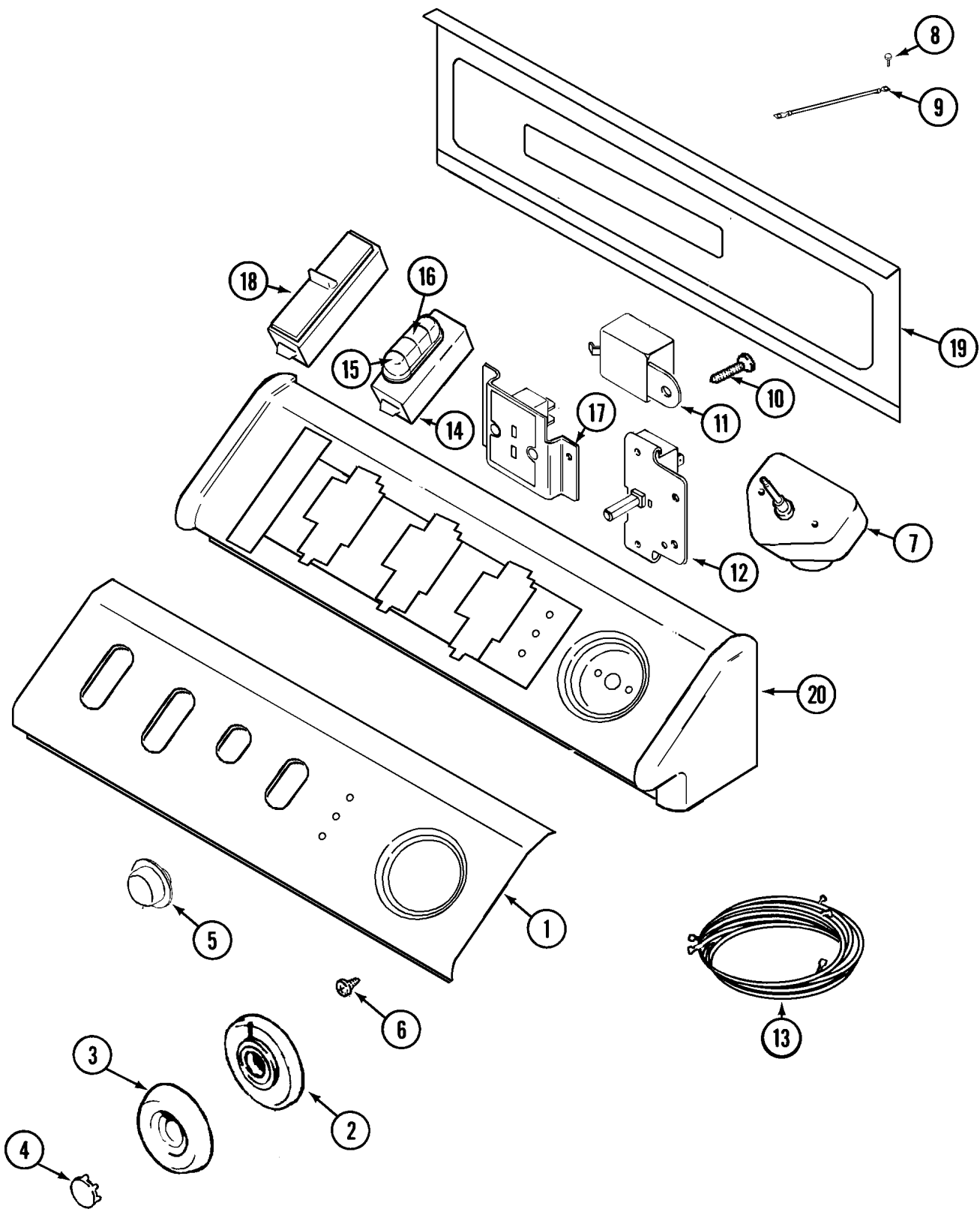
- Product Type
- Part Number
- Model Number
- Part Description

MAYTAG®

©2005 Maytag Services

Section: CONTROL PANEL

Model: MDG3000AXW



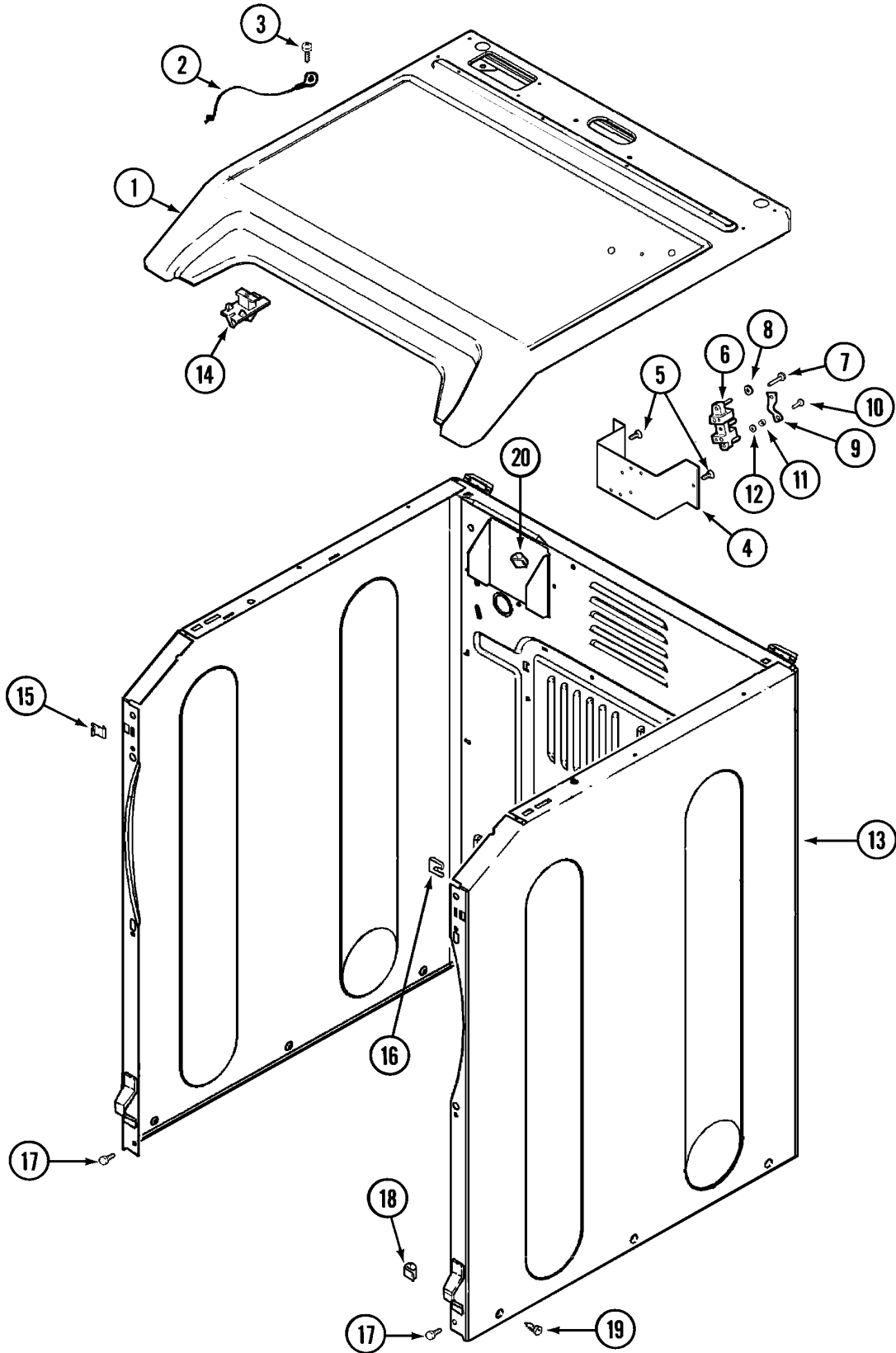
Section: CONTROL PANEL

No.	Part No.	Description	Series	Qty
-	22002339	SCREW Note: SCREW, CONTROL PANEL	10	3
1	N 33001857	PANEL, CONTROL (WHT)	10	1
2	33001621	SKIRT, TIMER DIAL (WHT)	10	1
3	22001659	TIMER KNOB - GREY	10	1
4	22001664	TIMER KNOB INSERT/CAP (WHT)	10	1
5	33001619	BUTTON, PUSH TO START (WHT) Note: BUTTON, PUSH TO START (WHT)	10	1
6	33001690	SCREW, TIMER	10	2
7	33001730	TIMER	10	1
8	210186	SCREW, GROUND WIRE TO BASE--NA Note: SCREW, GROUND WIRE	10	1
9	N 33001859	WIRE, GROUND	10	1
10	N 33001860	SCREW, END OF CYCLE----NA Note: SCREW, END OF CYCLE SIGNAL	10	1
11	33001660	SIGNAL, END OF CYCLE	10	1
11	33001848	SIGNAL, END OF CYCLE (CHIME)	11	1
12	33001861	SWITCH, PUSH TO START (WHT) Note: SWITCH, PUSH TO START (WHT)	10	1
13	33001864	WIRE HARNESS, MAIN	10	1
13	33001887	WIRE HARNESS, MAIN	11	1
14	22001908	SWITCH, OPTION (4 POS.-WHT)	10	1
15	22001788	BUTTON, SWITCH (WHT-END)	10	2
16	22001789	BUTTON, SWITCH (WHT-MDL)	10	2
17	33001661	DISPLAY, DRYNESS (WHT)	10	1
18	33001657	SWITCH, TEMPERATURE (GAS) Note: SWITCH, TEMPERATURE (WHT)	10	1
-	216423	SCREW Note: SCREW, CONSOLE BACK PANEL	10	2
19	33001806	BACK, CONSOLE PANEL	10	1
20	22002285	CONSOLE (WHT)	10	1
-	33001875	MANUAL, USE & CARE (FRENCH) Note: (FRENCH)	10	1

*Color Code (-)=Not Shown #=Series, Serial Prefix or Run No., N=Not Available

Section: CABINET-FRONT

Model: MDG3000AXW



CD21-44

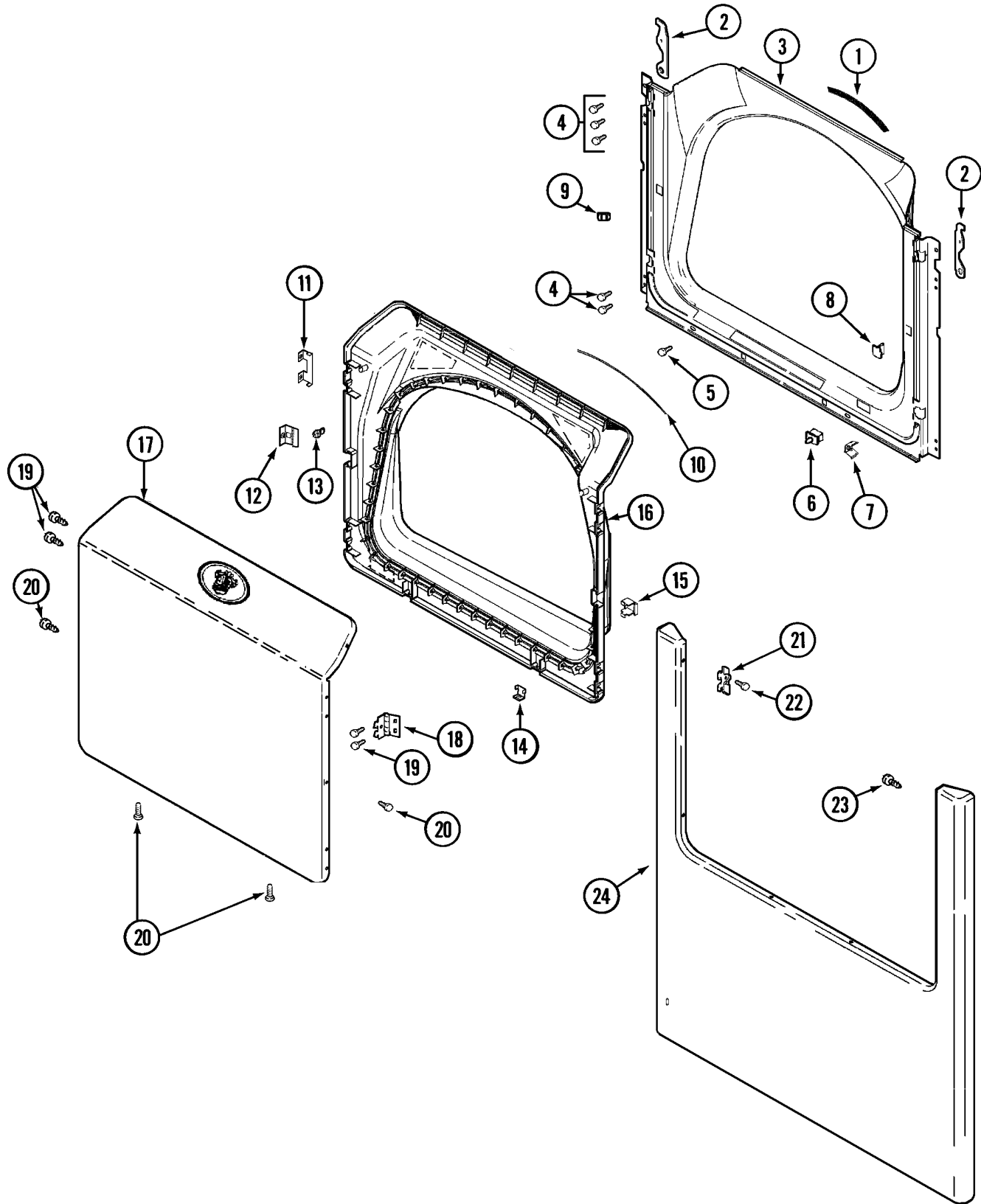
Section: CABINET-FRONT

No.	Part No.	Description	Series	Qty
1	33001865	COVER, TOP (WHT)	10	1
2	N 33001859	WIRE, GROUND	10	1
3	210186	SCREW, GROUND WIRE TO BASE--NA Note: SCREW, GROUND WIRE	10	1
4	N 33001826	BRACKET, TERMINAL BLOCK----NA	10	1
5	22001995	SCREW Note: SCREW, TERMINAL BLOCK BRACKET	10	2
6	33001244	BLOCK, TERMINAL	10	1
7	312209	SCREW, #10-24 X 3/4 INCH Note: SCREW, TERMINAL BLOCK	10	2
8	311270	WASHER, TERMINAL BLOCK	10	3
9	312184	STRAP, GROUND	10	1
10	N 33001245	SCREW----NA Note: SCREW, GROUND STRAP	10	1
11	311484	NUT, TERMINAL BLOCK	10	6
12	311093	WASHER, 7/32 INCH Note: WASHER, TERMINAL BLOCK	10	1
13	33001843	CABINET (WHT)	10	1
14	33001872	PIN, LOCATOR	10	2
15	22002049	CLIP	10	2
16	213280	FRONT PANEL BRACKET/FASTENER Note: RETAINER, FRONT PANEL	10	2
17	22001995	SCREW Note: SCREW, FRONT PANEL	10	2
18	310376	CLIP, WIRE HARNESS	10	1
19	213007	SCREW, CABINET	10	6
20	310376	CLIP, WIRE HARNESS	10	1

*Color Code (-)=Not Shown #=Series, Serial Prefix or Run No., N=Not Available

Section: DOOR

Model: MDG3000AXW



CD12-10

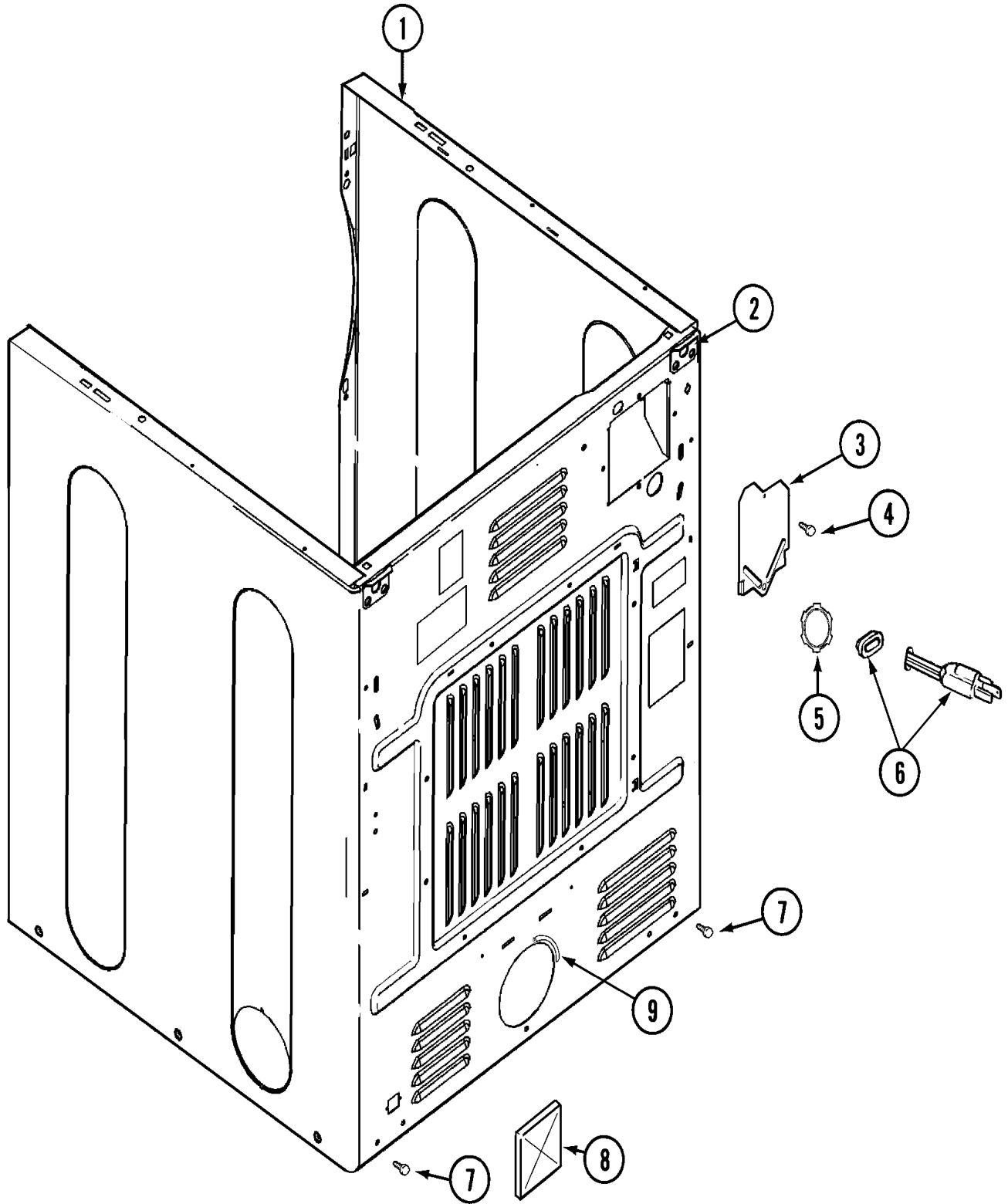
Section: DOOR

No.	Part No.	Description	Series	Qty
1	33001767	SEAL, SHROUD	10	1
2	22002033	HOOK, SECURITY	10	2
-	33002116	LABEL, SAFETY Note: LABEL, SAFETY	10	1
3	33001778	SHROUD (WHT)	10	1
4	22001995	SCREW Note: SCREW, TUMBLER FRONT & SHROUD	10	8
5	33001768	SCREW, SHROUD Note: SCREW, SHROUD & OUTLET DUCT	10	2
6	33001508	SWITCH, DOOR	10	1
7	33001760	BRACKET, HINGE	10	4
8	N 33001174	PLUG, DOOR CATCH	10	1
9	304578	CATCH, DOOR (FEMALE)	10	1
-	33001791	CATCH, DOOR (W/PLUG)	10	1
10	33002094	SEAL, DOOR	10	1
11	22002038	CLIP, DOOR (DOUBLE)	10	4
12	33001793	BRACKET, STRIKE	10	1
13	33001761	STRIKE, DOOR (MALE)	10	1
14	22002039	CLIP, DOOR (SINGLE)	10	2
15	33001763	PLUG, INNER DOOR	10	1
16	33001750	DOOR, INNER/ W SEAL (WHT)	10	1
-	22001817	SHEET, SOUND DAMPER (FT. PNL)	10	1
17	22002260	PANEL, DOOR (WHT-W/MEDALLION)	10	1
-	33001893	LABEL, OPEN DOOR (DRYER)	10	1
18	33001759	HINGE, DOOR	10	2
19	22002062	SCREW	10	4
20	22002063	SCREW #8-18AB WAFER HD	10	8
21	33001764	COVER, HINGE HOLE (WHT)	10	2
22	33001787	SCREW, HINGE Note: SCREW, HINGE HOLE COVER	10	2
23	22002012	SCREW, HINGE Note: SCREW, HINGE BRACKET	10	2
-	33001867	PAD, FRONT	10	1
24	22002241	PANEL, FRONT (WHT)	10	1
-	33001221	PAD, SOUND DAMPER	10	1

*Color Code (-)=Not Shown #=Series, Serial Prefix or Run No., N=Not Available

Section: CABINET-REAR

Model: MDG3000AXW



LD12-49

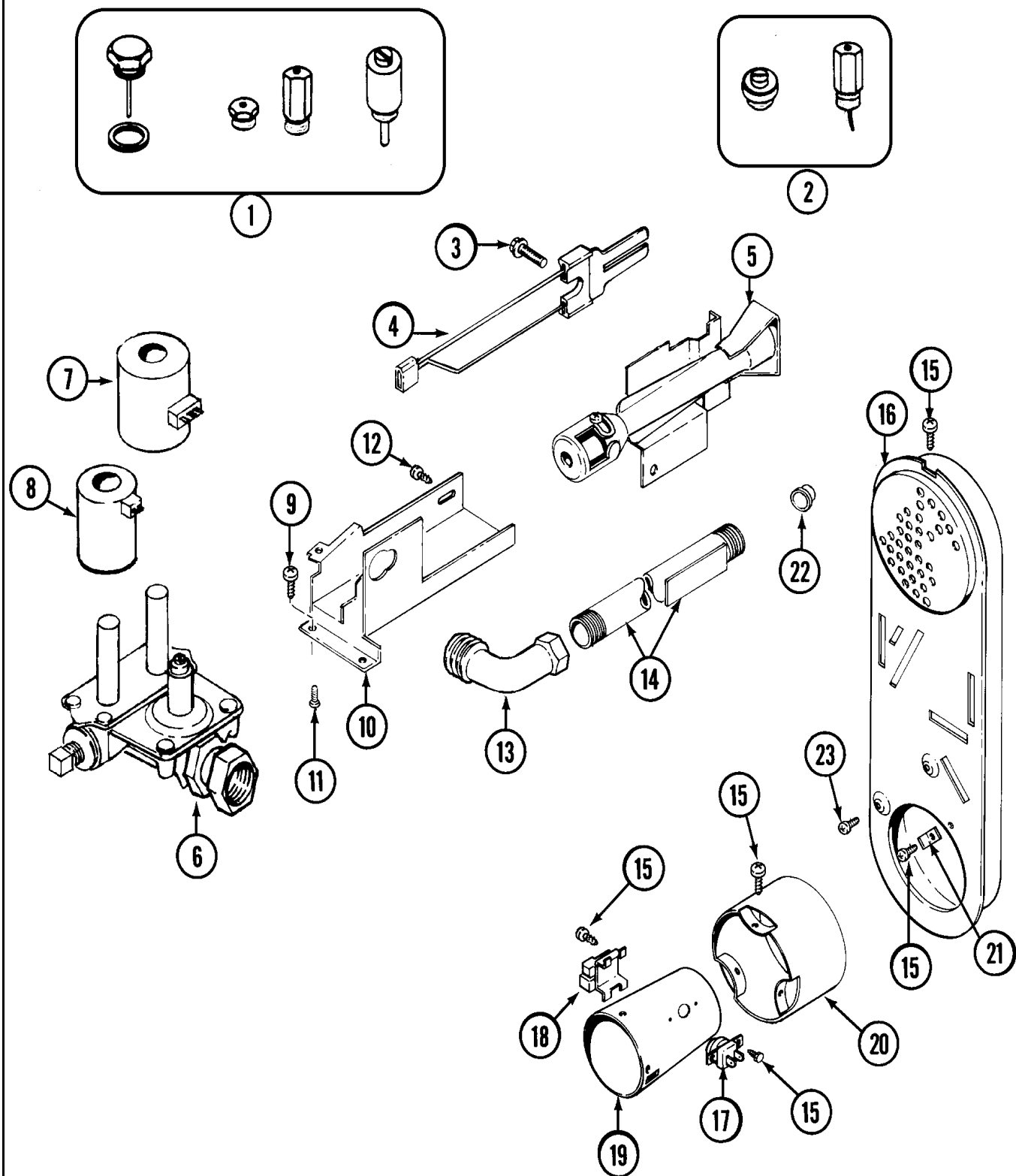
Section: CABINET-REAR

No.	Part No.	Description	Series	Qty
1	33001843	CABINET (WHT)	10	1
-	33002119	LABEL, SAFETY Note: LABEL, SAFETY (INSTALL)	10	1
-	33002118	LABEL, SAFETY Note: LABEL, SAFETY (EXHAUST)	10	1
2	N 33001827	BRACKET, CABINET HINGE	10	2
3	33001795	COVER, TERMINAL BLOCK	10	1
4	22001995	SCREW Note: SCREW, TERMINAL BLOCK COVER	10	1
5	211881	GROMMET, CORD	10	1
6	33001246	CORD, POWER	10	1
7	22001995	SCREW Note: SCREW, CABINET	10	2
8	33001702	FLAP, PIPE	10	1
9	N 33002283	GUARD, EXHAUST DUCT	10	1

*Color Code (-)=Not Shown #=Series, Serial Prefix or Run No., N=Not Available

Section: GAS VALVE

Model: MDG3000AXW



CD14-5

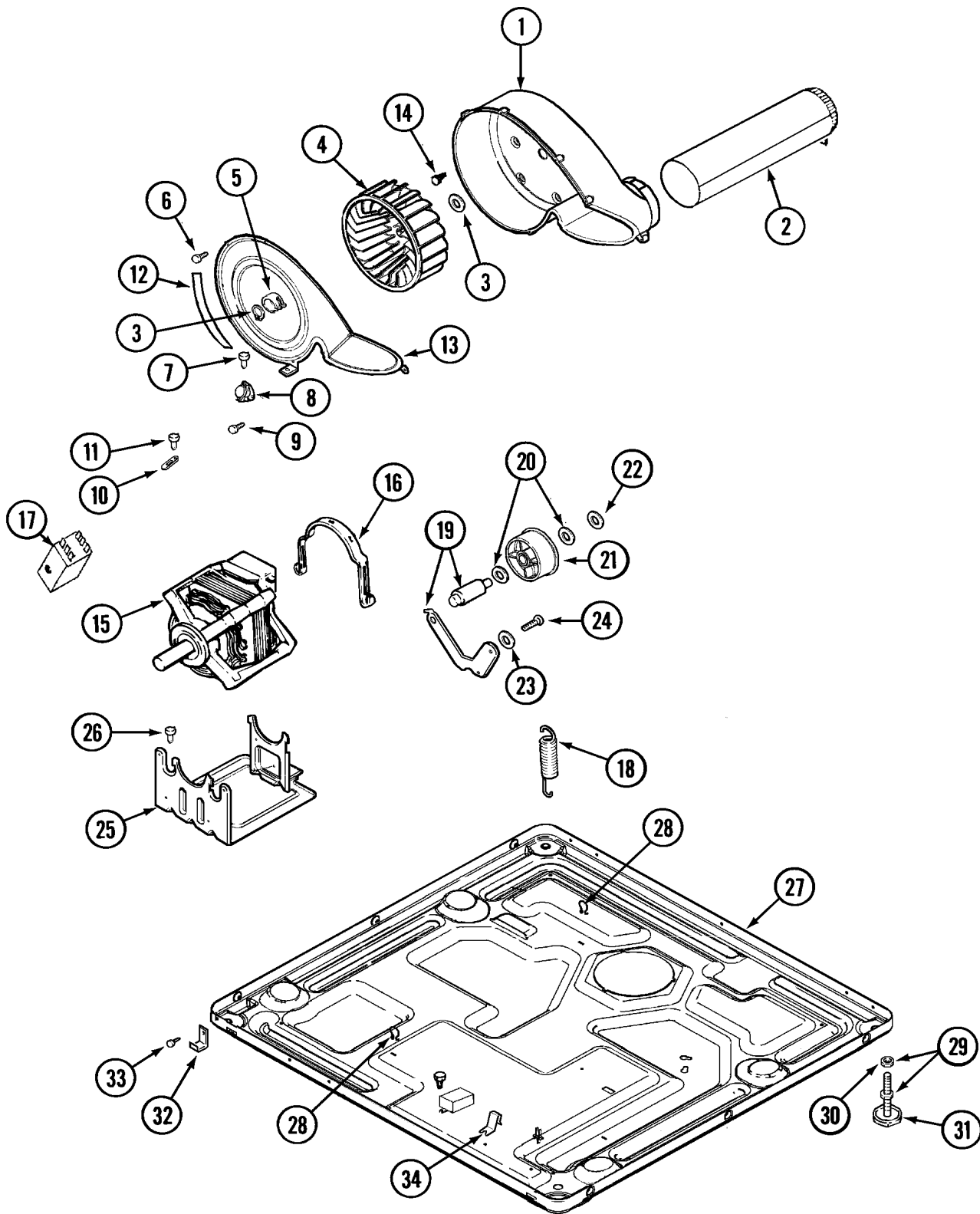
Section: GAS VALVE

No.	Part No.	Description	Series	Qty
1	306195	CONVERSION KIT (NATURAL TO LP) Note: CONVERSION KIT (NAT. TO LP)	10	1
2	306204	CONVERSION KIT (LP TO NATURAL) Note: CONVERSION KIT (LP TO NAT.)	10	1
3	304971	SCREW Note: SCREW, IGNITER	10	1
4	304970	IGNITER ASSY, GAS VALVE	10	1
5	33001247	BURNER ASSY.	10	1
6	306176	VALVE, GAS	10	1
7	306106	COIL, HOLDING & BOOSTER	10	1
8	306105	COIL, SECONDARY	10	1
9	N 313561	SCREW----NA Note: SCREW, GAS VALVE	10	2
10	N 33001834	BRACKET, GAS VALVE----NA	10	1
11	314082	SCREW Note: SCREW, GAS VALVE	10	1
11	314568	SCREW-GAS VALVE TO BRACKET Note: SCREW, GAS VALVE	10	1
12	310632	SCREW Note: SCREW, GAS VALVE	10	1
13	33001842	CONNECTOR, ANGLE	10	1
14	33001735	PIPE & BRACKET ASSY.	10	1
15	211294	SCREW Note: SCREW, DUCT	10	7
16	33001810	DUCT ASSY., INLET (GAS) Note: INLET DUCT ASSEMBLY	10	1
17	303395	THERMOSTAT, HI-LIMIT (GAS)	10	1
18	303377	SENSOR, RADIANT	10	1
-	22001996	SCREW Note: SCREW, COMBUSTION CONE ASSY.	10	2
19	33001835	CONE ASSY., COMBUSTION	10	1
20	303841	CONE, EXTENSION (COMBUSTION)	10	1
-	22001996	SCREW Note: SCREW, HEATER CHAMBER RETAINER	10	2
21	312890	RETAINER, HEATER CHAMBER	10	1
22	33001693	CAP, GAS PIPE	10	1
23	22001996	SCREW Note: SCREW, DUCT	10	4

*Color Code (-)=Not Shown #=Series, Serial Prefix or Run No., N=Not Available

Section: MOTOR DRIVE

Model: MDG3000AXW



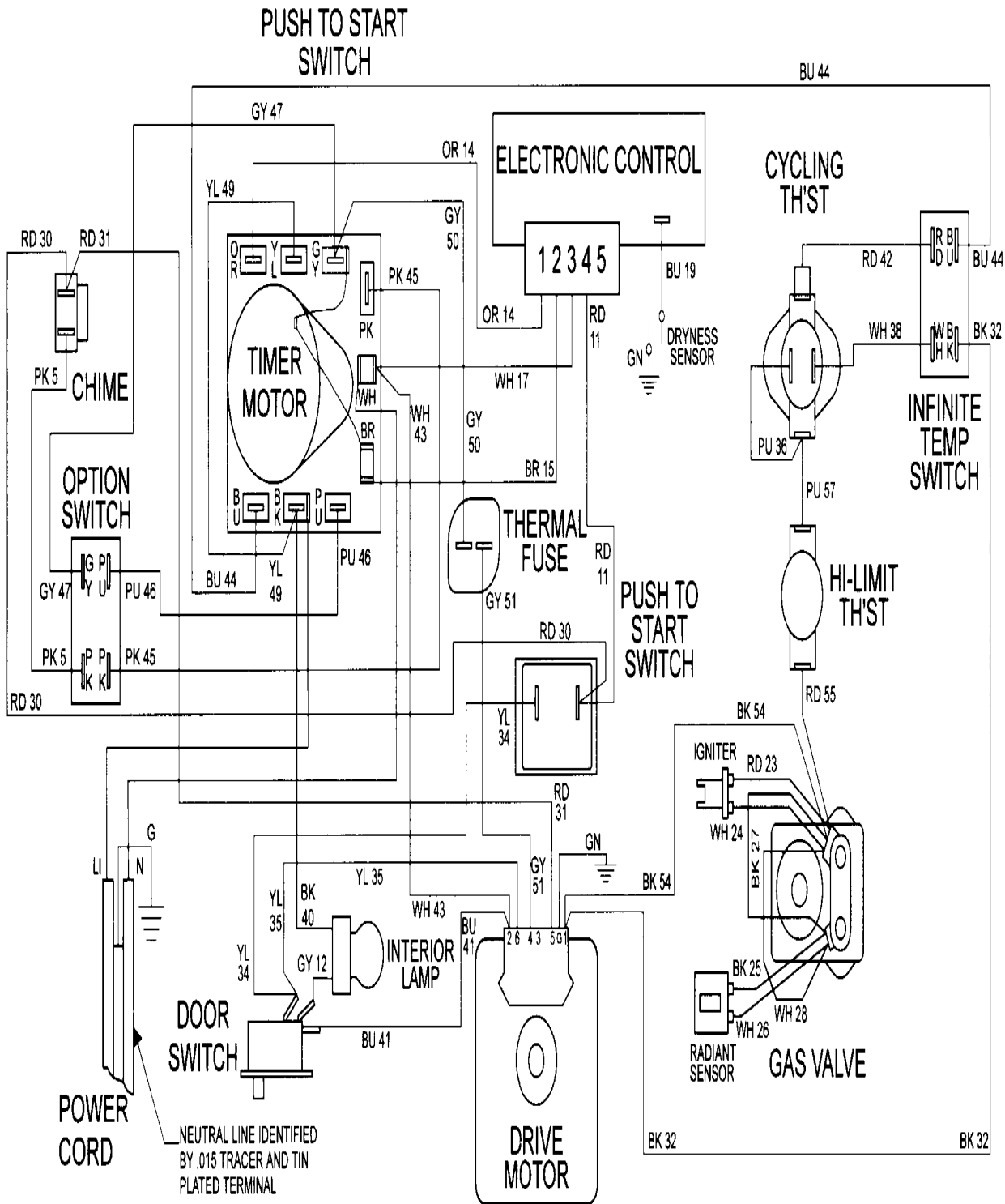
Section: MOTOR DRIVE

No.	Part No.	Description	Series	Qty
1	33001789	HOUSING, BLOWER	10	1
-	22001995	SCREW Note: SCREW, EXHAUST DUCT ASSEMBLY	10	1
2	33001800	DUCT ASSY., EXHAUST	10	4
3	410233	RING, RETAINING	10	2
4	33001790	WHEEL, BLOWER	10	1
5	312967	CLAMP, BLOWER HOUSING	10	1
6	33001855	SCREW (HEX HEAD) Note: SCREW, HOUSING COVER	10	8
7	N 313561	SCREW----NA Note: SCREW, HOUSING COVER	10	1
8	306910	THERMOSTAT, MULTI TEMP (GAS) Note: THERMOSTAT	10	1
9	22001996	SCREW Note: SCREW, THERMOSTAT	10	2
10	33001762	FUSE, THERMAL (W' BRACKET)	10	1
11	314848	SCREW Note: SCREW, THERMAL CUT-OFF	10	1
12	N 33001772	SEAL, BLOWER COVER	10	1
13	N 33001873	COVER, BLOWER HOUSING----NA	10	1
14	314818	SCREW Note: SCREW, BLOWER HOUSING	10	4
15	33001853	MOTOR (W/PULLEY)	10	1
15	33002237	MOTOR (W/PULLEY)	13	1
15	33002478	MOTOR	28	1
16	015825	CLIP, MOTOR	10	2
17	33001854	SWITCH, MOTOR	10	1
-	33002157	GROMMET Note: GROMMET, IDLER SPRING/BASE	10	1
18	33002157	GROMMET	10	1
18	33001754	SPRING, IDLER	10	1
19	33001840	IDLER ARM & SHAFT ASSY.	10	1
20	312527	WASHER, IDLER SHAFT (QTY-1)	10	2
21	33001783	BEARING, IDLER ASSEMBLY	10	1
22	312958	RETAINING RING, IDLER SHAFT	10	1
23	315772	SLEEVE, IDLER ARM	10	1
24	014874	SCREW	10	1
25	33001752	SUPPORT, MOTOR	10	1
26	N 313561	SCREW----NA Note: SCREW, MOTOR & BLOWER	10	2
27	33001845	BASE	10	1
28	410490	SPRING, WIRE HARNESS	10	2
29	305086	ADJUSTABLE LEG & NUT	10	4
30	052740	NUT	10	4
31	314137	FOOT, RUBBER	10	4
32	22002239	CLIP, LOWER FRONT PANEL	10	2
33	310632	SCREW Note: SCREW, CLIP	10	2
34	22002244	CLIP, GROUNDING	10	1

*Color Code (-)=Not Shown #=Series, Serial Prefix or Run No., N=Not Available

Section: WIRING INFORMATION

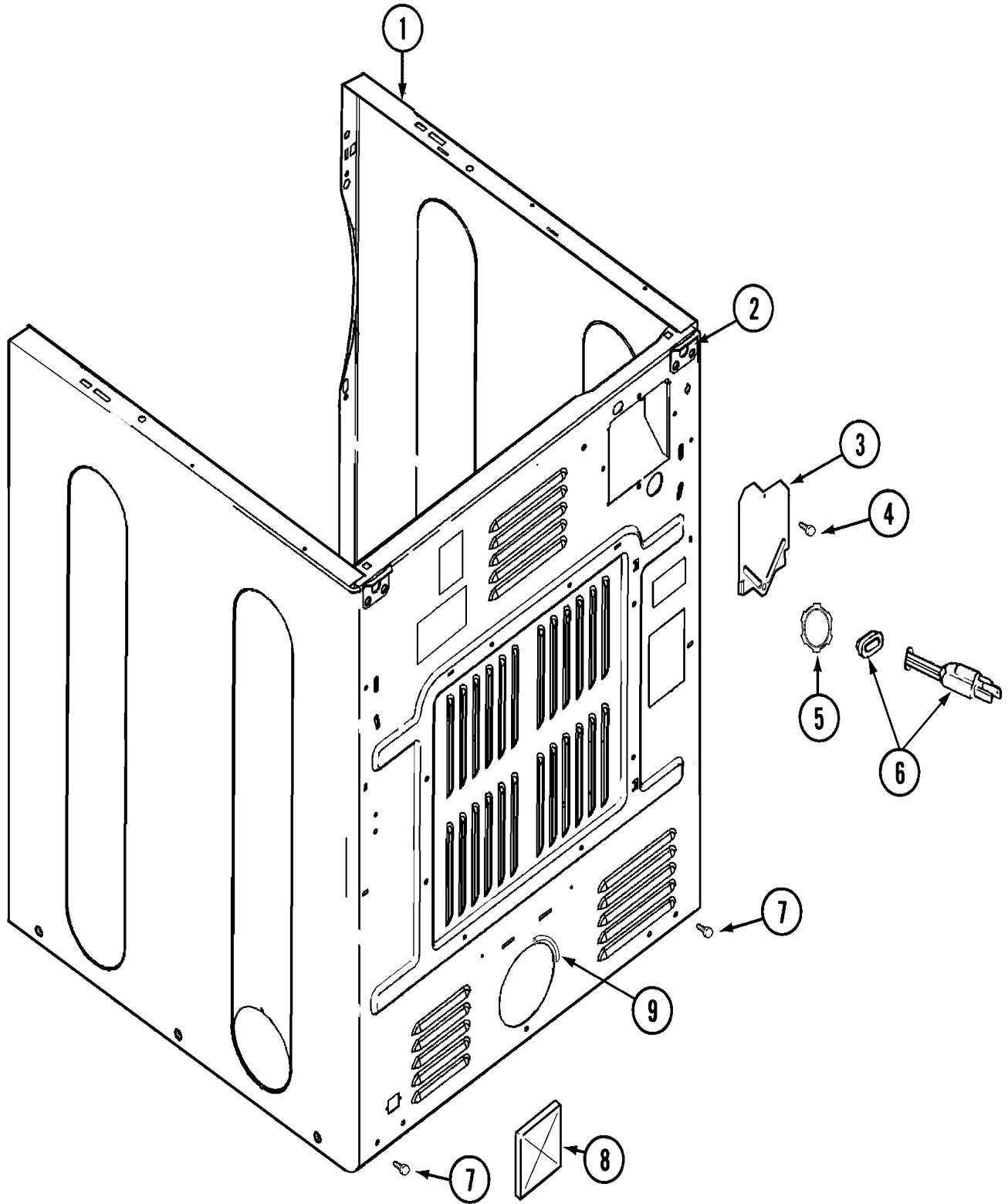
Model: MDG3000AXW



15002204

Section: CABINET-REAR (MDG3000AXQ/AWQ)

Model: MDG3000AXW



LD12-49

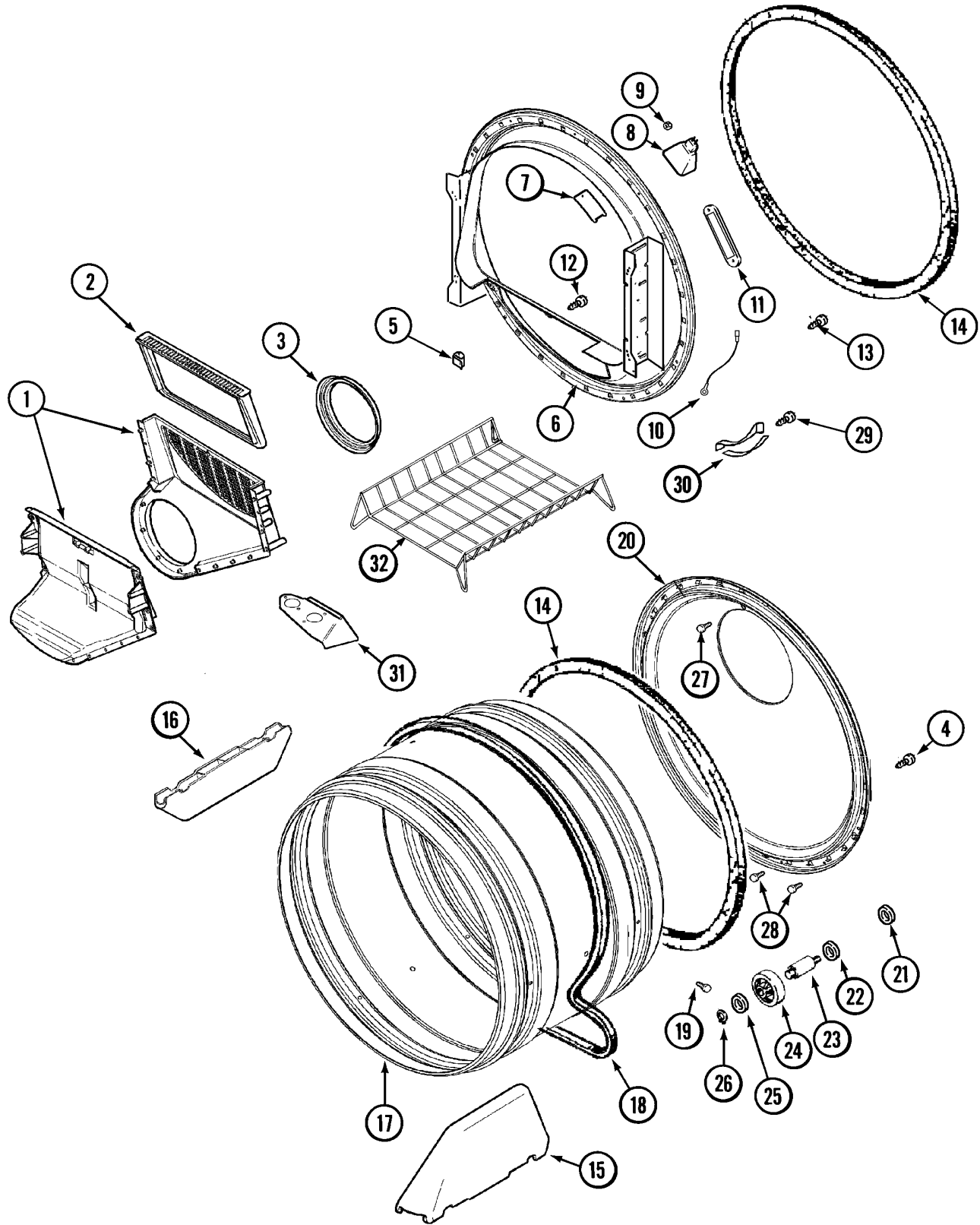
Section: CABINET-REAR (MDG3000AXQ/AWQ)

No.	Part No.	Description	Series	Qty
-	33002119	LABEL, SAFETY Note: LABEL, SAFETY (INSTALL)	10	1
1	N 33002373	CABINET (BSQ)	10	1
2	N 33001827	BRACKET, CABINET HINGE	10	2
3	33001795	COVER, TERMINAL BLOCK	10	1
4	22001995	SCREW Note: SCREW, TERMINAL BLOCK COVER	10	1
5	211881	GROMMET, CORD	10	1
6	33001246	CORD, POWER	10	1
7	22001995	SCREW Note: SCREW, CABINET	10	2
8	33001702	FLAP, PIPE	10	1
9	N 33002283	GUARD, EXHAUST DUCT	10	1

*Color Code (-)=Not Shown #=Series, Serial Prefix or Run No., N=Not Available

Section: TUMBLER

Model: MDG3000AXW



Section: TUMBLER

No.	Part No.	Description	Series	Qty
1	33001799	OUTLET DUCT ASSEMBLY Note: OUTLET DUCT ASSEMBLY	10	1
2	33001808	FILTER, LINT	10	1
3	33001758	SEAL, BLOWER	10	1
4	33002190	SCREW (#10-3/8")	10	4
5	310376	CLIP, WIRE HARNESS	10	1
6	33001868	FRONT, TUMBLER FRONT W/SENSOR Note: FRONT, TUMBLER (W/SEAL) (INCL. SENSOR/ LIGHT ASSY)	10	1
-	33001871	SCREW Note: SCREW, DRUM LIGHT	10	1
7	33001869	LENS, DRUM LIGHT	10	1
8	N 33001870	HOLDER, LAMP (W/HOUSING) Note: LAMP (W/HOUSING & HOLDER)	10	1
-	22002263	LAMP (10 WATT)	10	1
9	214872	PALNUT, END CAP Note: NUT, LAMP HOLDER	10	1
10	303711	SENSOR GROUND WIRE Note: SENSOR, GROUND WIRE	10	1
-	211294	SCREW Note: SCREW, GROUND WIRE SENSOR	10	1
11	33001809	SENSOR BAR ASSY.	10	1
-	22001078	SCREW Note: SCREW, SENSOR BAR ASSEMBLY	10	2
12	N 312311	SCREW----NA Note: SCREW, OUTLET DUCT (PHILLIPS)	10	1
13	33001855	SCREW (HEX HEAD) Note: SCREW, DUCT TO TUMBLER (HEX)	10	4
14	33001807	SEAL, TUMBLER	10	2
15	33001756	BAFFLE (TALL)	10	2
16	33001755	BAFFLE (SHORT)	10	1
17	33001889	TUMBLER	10	1
18	33001777	BELT, TUMBLER	10	1
19	33001788	SCREW, BAFFLE	10	6
20	33001801	BACK, TUMBLER (W/SEAL)	10	1
21	33001443	NUT, HEX (ROLLER SHAFT)	10	2
22	313347	WASHER, SPRING (ROLLER SHAFT)	10	2
23	312948	SHAFT, TUMBLER ROLLER	10	2
24	303373	BEARING & ROLLER ASSEMBLY Note: ROLLER (W/BEARING)	10	2
25	312535	WASHER, ROLLER SHAFT	10	2
26	410233	RING, RETAINING	10	2
27	210932	SCREW, #8 X 9/16 CTSK Note: SCREW, INLET DUCT	10	1
28	22001996	SCREW Note: SCREW, INLET DUCT	10	2
29	210720	RIVET Note: RIVET, TUMBLER	10	4
30	306508	TUMBLER BEARING KIT	10	2
32	33001917	RACK, DRYING Note: RACK, DRYING	10	1

*Color Code (-)=Not Shown #=Series, Serial Prefix or Run No., N=Not Available

