

* Before using your SP-31, check that it is supplied with the following mounting parts:

■ ACCESSORIES

Speaker cord.....E30-1711-15.....1 ea.
Instruction Manual.....B50-8228-XX.....1 sheet

After unpacking

Shipping container:

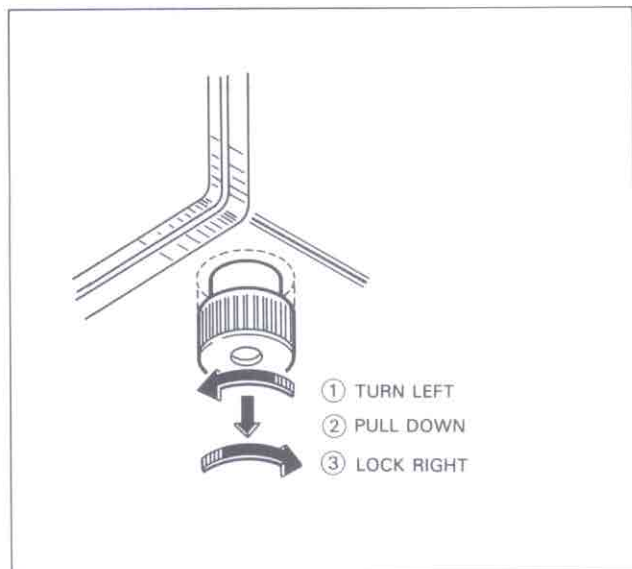
Save the boxes and packing in the event your unit needs to be transported for remote operation, maintenance, or service.

■ SPECIFICATIONS

Speaker used:	10 cm dia.
Rated Input:	2 Watts
Impedance:	8 Ω
Frequency response:	160 Hz to 7 kHz
Filter cut-off frequency:	
LOW:	400 Hz, -3 dB
HIGH 1:	3.0 kHz, -3 dB
HIGH 2:	1.2 kHz, -3 dB
HIGH 1 + HIGH 2:	900 Hz, -3 dB
Filter attenuation:	-6 dB/oct.
Dimensions:	
W.	180 mm (7-1/16")
H.	120 mm (4-23/32")
D.	310 mm (12-7/32")
Net weight:	2.0 kg (4.4 lbs)

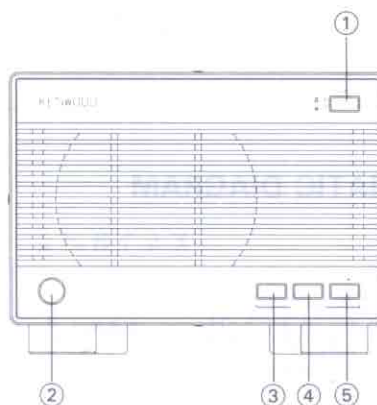
■ FRONT FEET

The front panel can be elevated for operating convenience by extending the front feet. Turn the front feet left and pull down. Then turn right to lock.



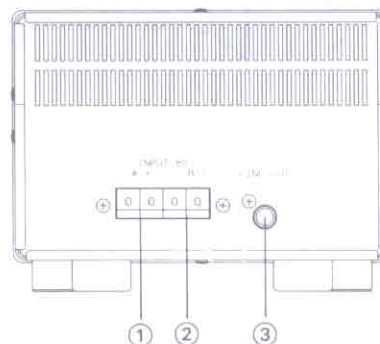
■ CONTROLS AND THEIR FUNCTION

Front Panel



- ① **INPUT Switch**
Selects one of two audio inputs.
- ② **PHONES Connector**
Standard headphone output, through the tone filters.
- ③ **FILTERS, HIGH 1 Switch**
This switch attenuates frequencies above 3.0 kHz; -3 dB at 3.0 kHz.
- ④ **FILTERS, HIGH 2 Switch**
This switch attenuates frequencies above 1.2 kHz; -3 dB at 1.2 kHz.
- ⑤ **FILTERS, LOW Switch**
This switch attenuates frequencies below 400 Hz; -3 dB at 400 Hz.
Note: When this switch is used with the HIGH 1 and HIGH 2 ON, frequencies above 900 Hz; -3 dB at 900 Hz are attenuated.

Rear Panel



- ① ② **INPUT Connectors**
Accepts audio output from two sources.
- ③ **LINE OUT Connector**
Standard line output through the filters for RTTY, SSTV, or similar use.